

WC2 SERIES

Split-Core Current Transformers

WC2 Series was designed with compactness and high current ratio in mind. At 400A primary current, WC2 is clearly the smallest in the market. The pivot hinged design allows for tight tolerance during open/close metering & energy management applications and retrofits without dismantling power-line. This CT has WC's trademark ergonomic secure Arc-Latch™ feature along with locking and servicing date tag provisions. Install with confidence from made in America design, quality & assembly!

MECHANICAL

Window Size	1.0" x 1.4" [25.4mm x 35.6mm]
Wire Leads	6ft [1.8m] 22AWG blk/wht twisted UL1015 105°C 600V
Operating Temperature	-15°C to 65°C (90% Rel. Hum.)
Altitude	6,600ft [2012m]
Weight	0.5Lb [226.8g]
Keying Hole	Cable tie for locking or date tag
Ergonomic	Arc-Latch™ for EZ-Open, no tool

ELECTRICAL

Input (max.)	400A, AC Sine-wave 50/60Hz
Output	0.333V, full-scale
Accuracy (typical)	0.5%
Linearity	10% to 120%
Polarity	White (X1 - Hi), Black (X2 - Low)
Phase Direction	Arrow points toward Load
Frequency	40 to 400Hz

REGULATORY STANDARDS

Voltage Rating	600VAC, Category III
Construction	UL94V-0 flame retardant, thermoplastic 2X reinforced insulations, PD2 (optional)
Standards	UL 61010-1 & CAN/CSA C22.2 IEC 61010-2 & ANSI C12.20

INSTALLATION

For indoor use only. Turn off power source before working with CTs. Observe X1X2 polarity and read manufacturer's instructions of the equipment you are connecting to CTs for proper installation guide. Professional installations required for safe handling and operation.



WATTCORE LLC | Core Solutions for Energy Management™
1287 Rand Road
Des Plaines, IL 60016 (USA)
571.482.6777 | sales@wattcore.com | www.wattcore.com



WATTCORE®

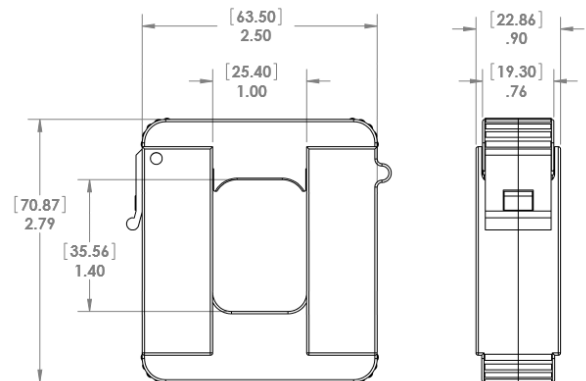


MODELS

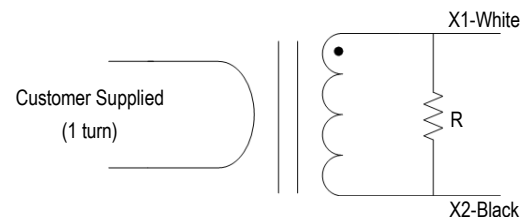
PART-NUMBER	RATIO*	ACCURACY
WC2-100-MV333	100A/0.333V	0.5
WC2-200-MV333	200A/0.333V	0.5
WC2-300-MV333	300A/0.333V	0.5
WC2-400-MV333	400A/0.333V	0.5

*Custom ratio output available: XXmV, 1V & 2V

DIMENSIONS [mm]



SCHEMATIC



DANGER
De-energize source before installation! Observe national and local electrical codes for safety and compliant. Licensed electricians required. Use precaution when working with electricity!